

HEIGHT ADJUSTABLE WORKSTATION

EVO SIT&STAND desks are characterized by frontal soundproof screen panels upholstered in fabric thickness 6,6 cm (2''5/8) and by legs in which a system of height adjustment is installed. Top passes from 68 (26''3/4) to 118 cm (46''1/2) height according to the law EN 527-1:2011. Among workplaces are installed thin dividing panels in glass.

TECHNICAL FEATURES

Top: tops are made in 30 mm thick (1''1/8) chipboard panels with antiscratch and anti-reflect melamine surfaces; tops are edged in 2,5 mm thick PVC. Tops are also available in Ergo Laminate finish.

Structure: terminal legs are 13,5 cm thick boxes, 122 cm deep and 62,5 cm high, and they lead on a powder coated metal plate, height adjustable. Corners are all joint at 45°. Intermediate legs are 25,6 cm thick boxes, 122 cm deep and 62,5 cm high, and they lead on a powder coated metal plate, height adjustable. In the legs there is the electrical system for the top height adjustment.

FINISHES

Top:
Melamine: UE White, Silver, Titanio, Delavè, Comfort, White Snow, Magnolia, Oak 2017, Eucalyptus, White Colour Fir.
Laminate: White Snow.

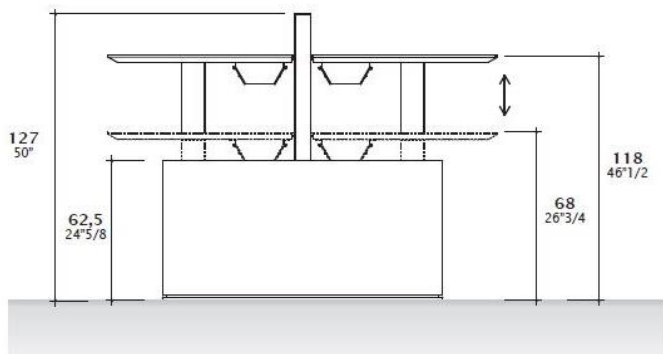
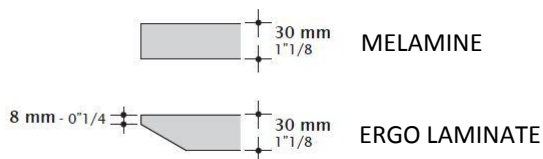
Legs and Modesty Panel:
Melamine: see finishes for the top.
Lacquered: glossy White (only with Laminate top).

Frontal panel: Smart Office - Fabric cat. B, F, G, L.

The modesty panel is in the same finish as the legs.

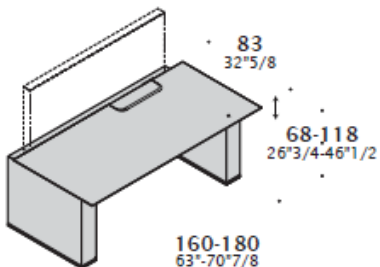
Sit&Stand top adjustment

Sit&Stand certified mechanism is a system for height top adjustment that allows to work comfortably both in a seating or stand position - height top from 68 (26''3/4) to 118 cm (46''1/2). The last generation lifting columns with silent motorized system are synchronized by a central unit and can be activated by the button integrated on the worktop. The cable management tube is always included.



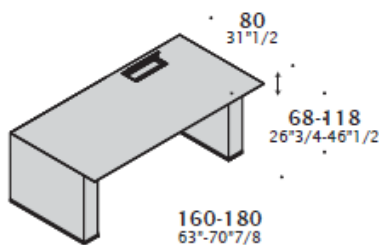
DIMENSIONS

Single desk

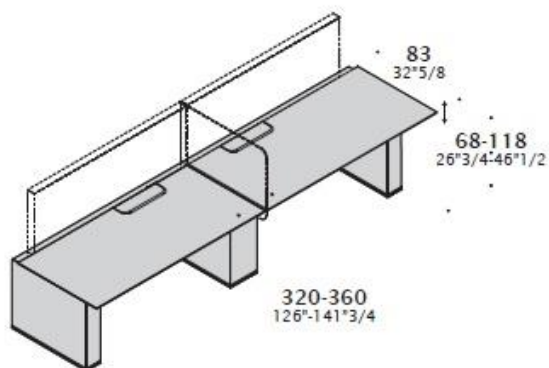


H 68-118 / D 83 available with W 160 - 180
Modesty : H 65 (25''5/8) + W 127 - 147 (50'' - 57''7/8)

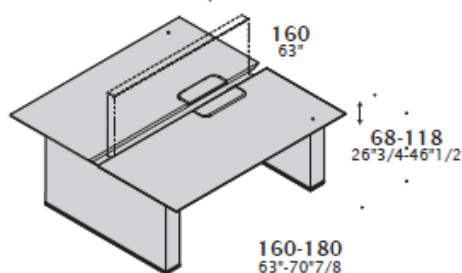
Single desk without frontal panel



H 68-118 / D 83 available with W 160 - 180

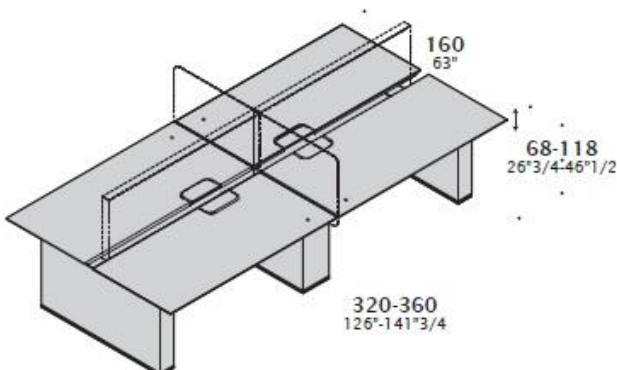


H 68-118 / D 83 available with W 320 - 360
Modesty : H 65 (25''5/8) + W 284 - 327 (113'' - 128''3/4)



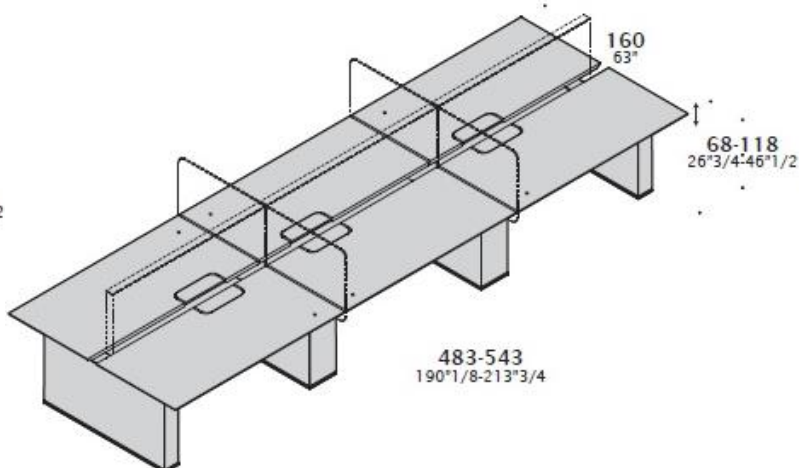
H 68-118 / D 160 available with W 160 - 180
Modesty : H 65 (25''5/8) + W 127 - 147 (50'' - 57''7/8)

4 seats bench



H 68-118 / D 160 available with W 320 - 360
Modesty : H 65 (25''5/8) + W 287 - 327 (113'' - 128''3/4)

6 seats bench



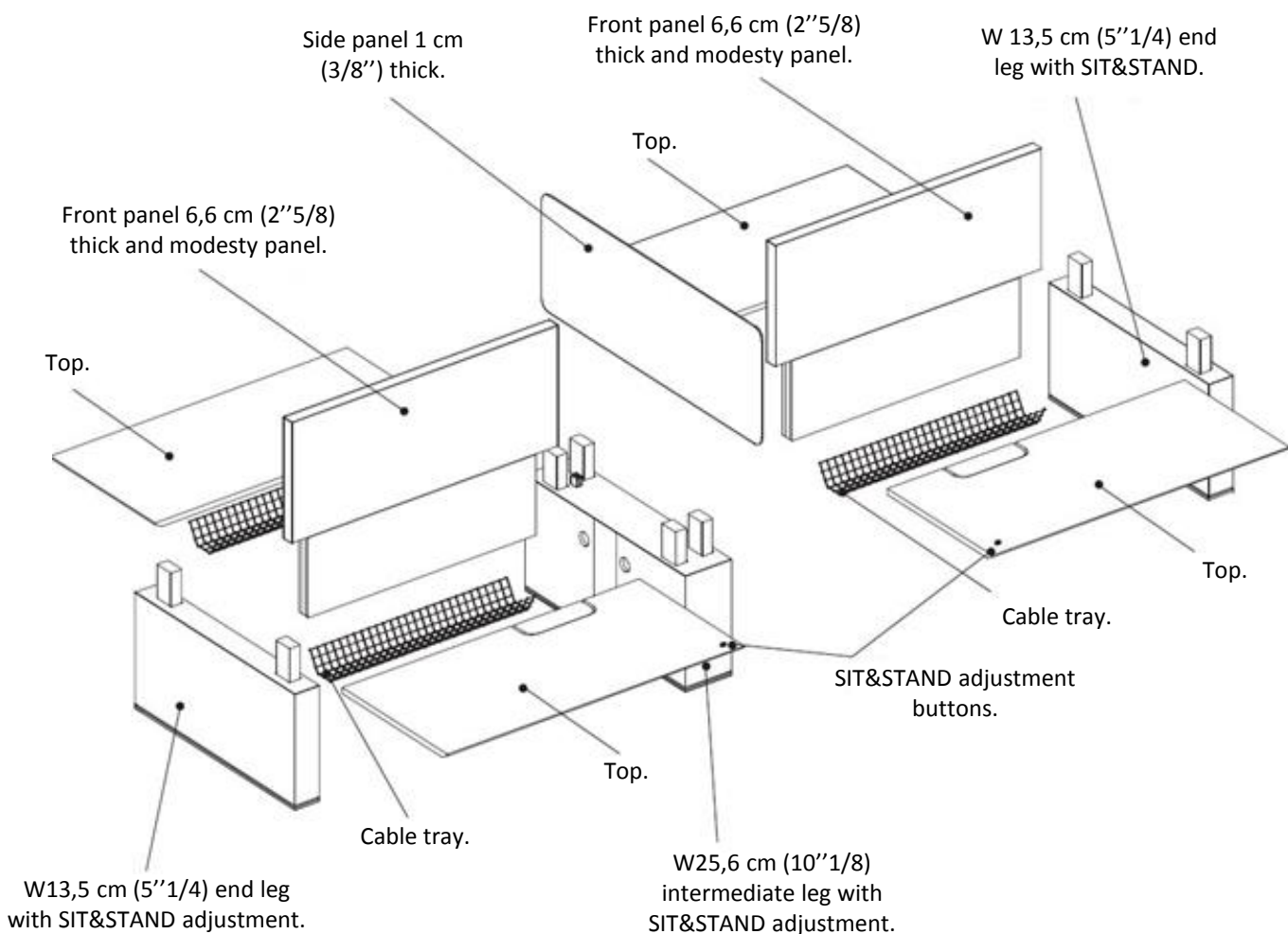
H 68-118 / D 160 available with W 483 - 543
Modesty : H 65 (25''5/8) + W 450 - 510 (177''1/8 - 200''3/4)

Sit&Stand top adjustment

The EVO SIT&STAND system is characterized by frontal sound-absorbing panels in fabric and legs in which a system of top adjustment is installed; the top height can range from 68 cm to 118 cm.

CERTIFICATIONS

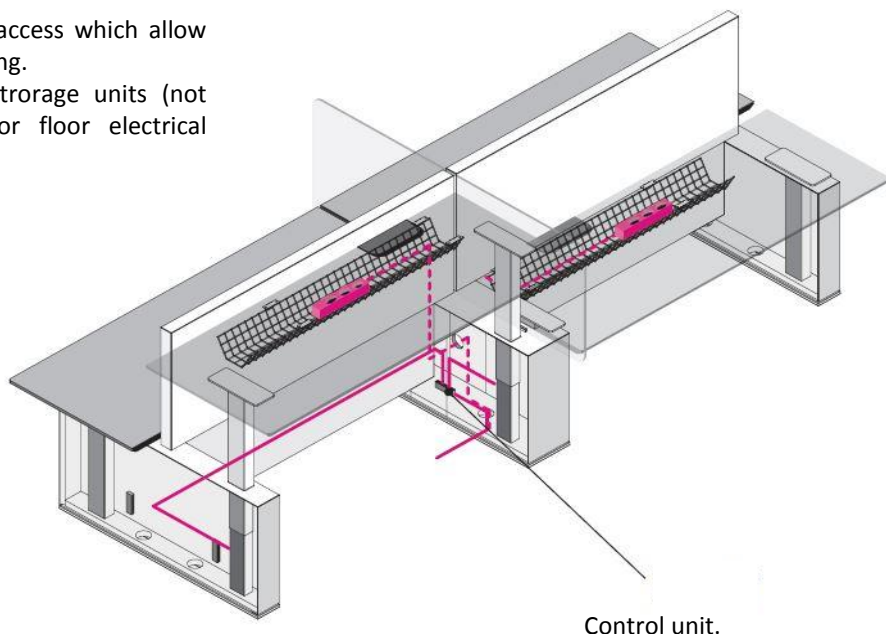
The product respect all safety prescriptions and has succeeded the highest levels on prestational certifications.



Electrification

The top electrification is made by a top access which allow the access to a cable tray for sockets housing.

The wiring system pass through base storage units (not visible), in which there is the hole for floor electrical alimention.



Multiple sockets

Multiple sockets are provided with 3 m lenght cable and Schuko plug.

A
Schuko - UE socket

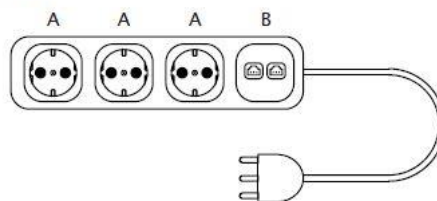
B
n° 2 RJ45 socket cat. 6 (data/telephone)

C
n° 2 USB charger socket 5V

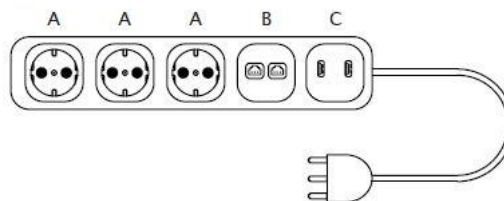
D
n° 1 HDMI socket (video) + n° 1 USB socket

- On request we can also supply international sockets.

TYPE 1



TYPE 2



TYPE 3

